

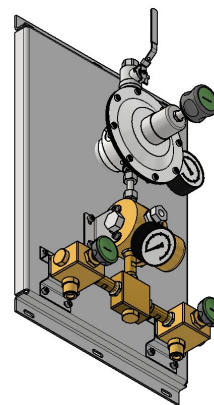
QD38BS1 Double-stage brass decompression panel



DESCRIPTION

Double-stage distribution system for industrial gases. The decompression panel consists of:

- 2 inlets modular brass manifold, equipped with non-return devices, additional pressure ports for mounting bleed valves or pressure switches and inlet connections according to UNI-11144;
- pre-set first stage brass pressure reducing valve;
- third-stage aluminium pressure reducing valve.



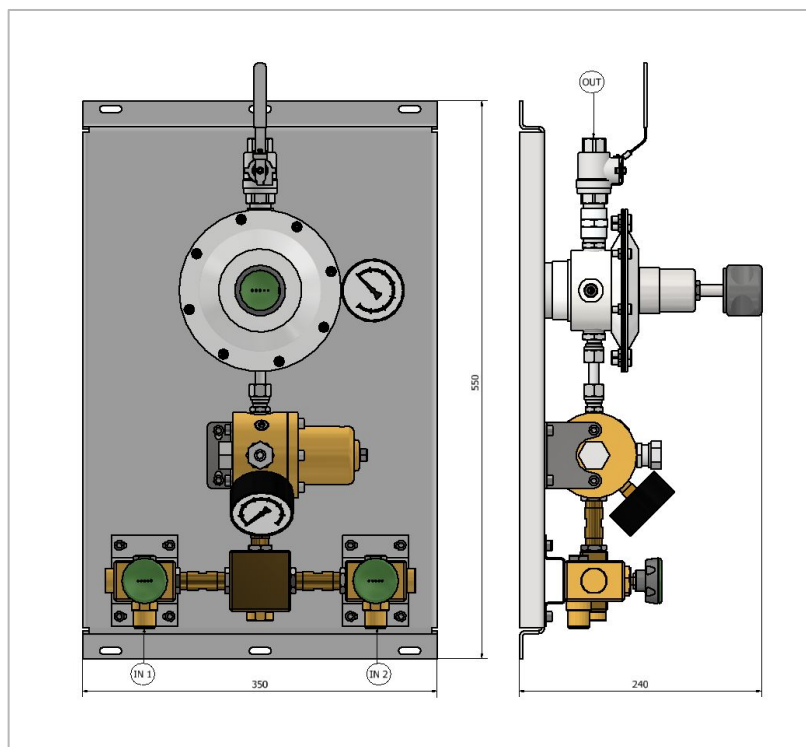
Degreased for oxygen use and pure gases versions available.

Applications: pneumatics, industry and oenology.

TECHNICAL DATA

MAXIMUM INLET PRESSURE	250 bar
SETTING RANGE	5 → 50 mbar • 20 → 1000 mbar
IN CONNECTION	W21,7×1/14 - M • W20×1/14 SX - M
OUT CONNECTION	1/2" G-F
GAUGE CONNECTIONS	1/4" G-F
KV (CEI EN 60534-2)	1,5 m3/h
MATERIAL	Body - brass (R38BS1) • aluminium (R12AS3) Inner parts - brass (R38BS1) • AISI 316L (R12AS3)
TEMPERATURE	-20°C → +80°C Other temperatures upon request
FLUIDS	Gases
WEIGHT	12 kg
CERTIFICATES	PED 2014/68/UE
ACCESSORIES	Bleed valve • pressure switch
SPARE PARTS KIT	Wear parts

DIMENSIONAL DRAWINGS



FLOW CHARTS

